

# EBR-30 Accent Rail

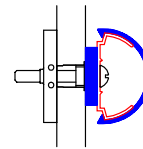
*Features:*

- Class A fire rating
- Molded end caps
- Molded outside corners
- Stock length 12'-0" (3658)

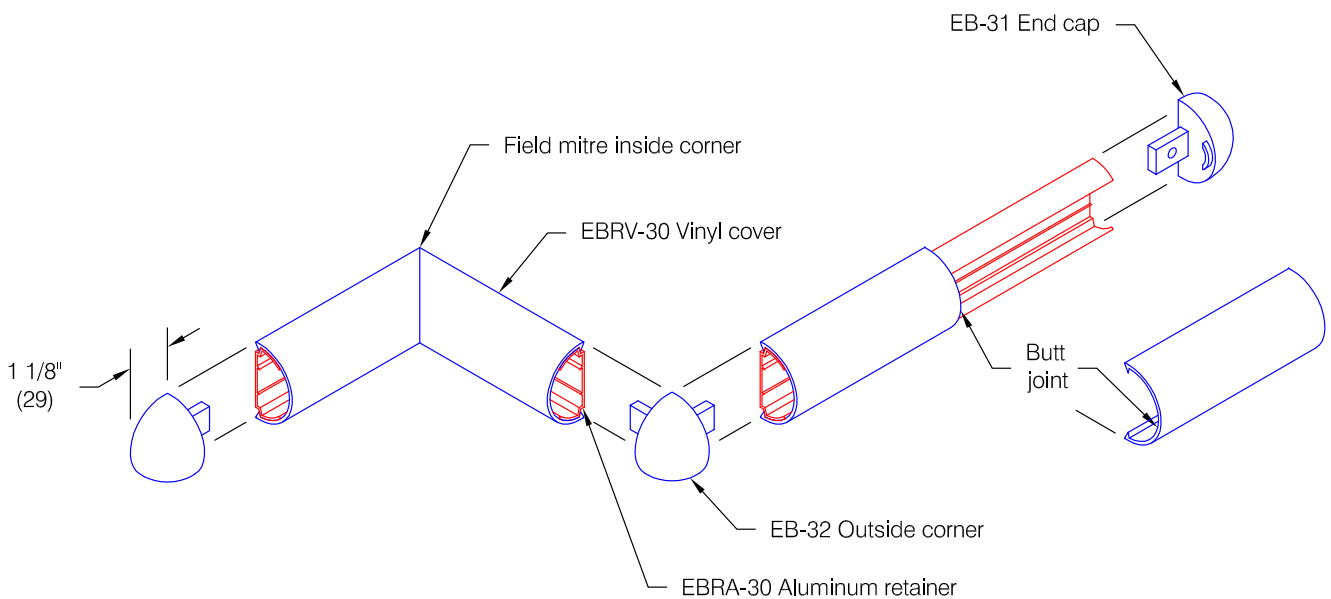
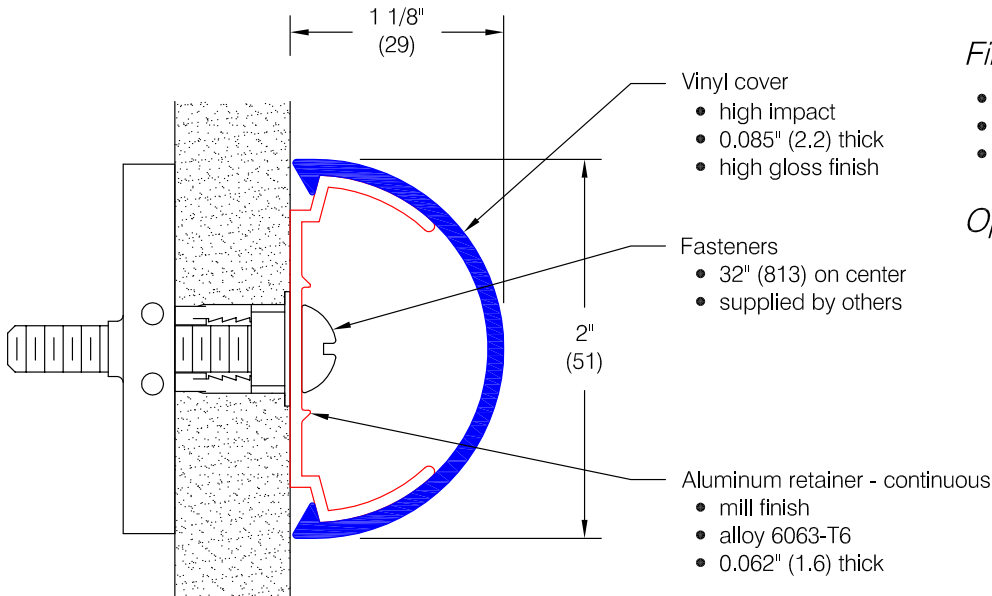
*Finishes:*

- Manufacturer's standard colors
- Custom colors available
- Textured finish (see WD.55.0)

*Optional mounting:*



WD.54.0



*Pawling Corporation reserves the right to discontinue a design or modify an existing design without prior notice*

Customer :	Project :	WD.53.0a
Architect :	Sales Rep :	

# EBR-30EXT Accent Rail

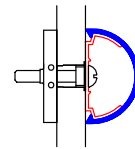
*Features:*

- Class A fire rating
- Molded end caps
- Molded outside corners
- Stock length 12'-0" (3658)

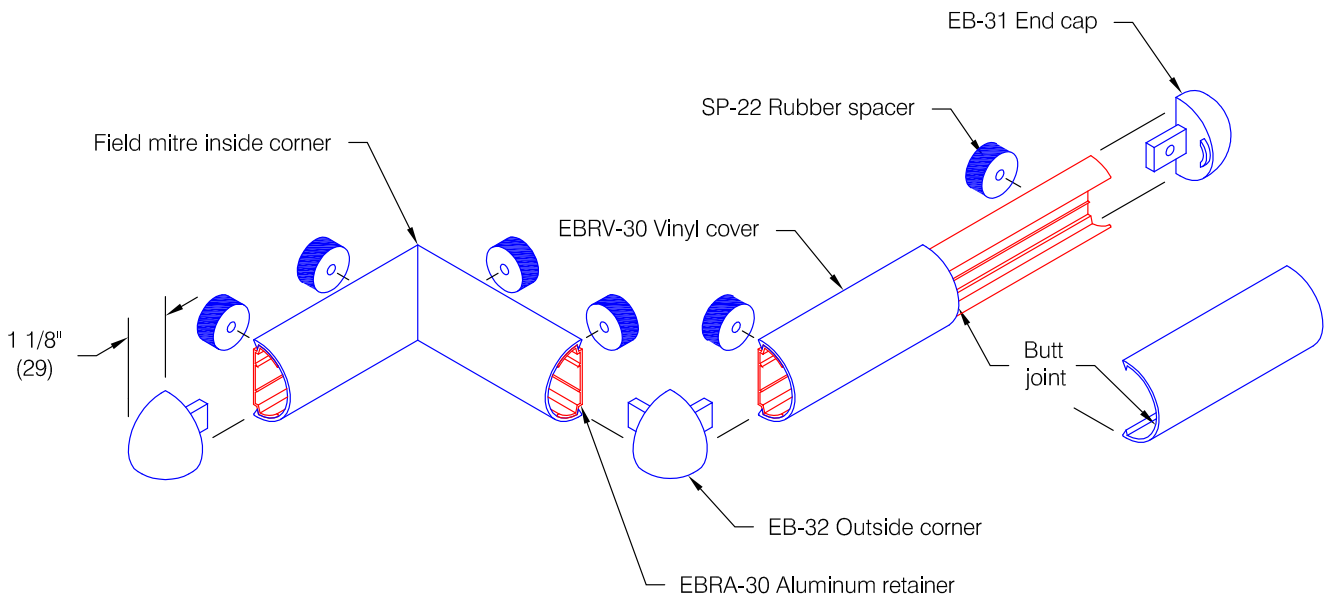
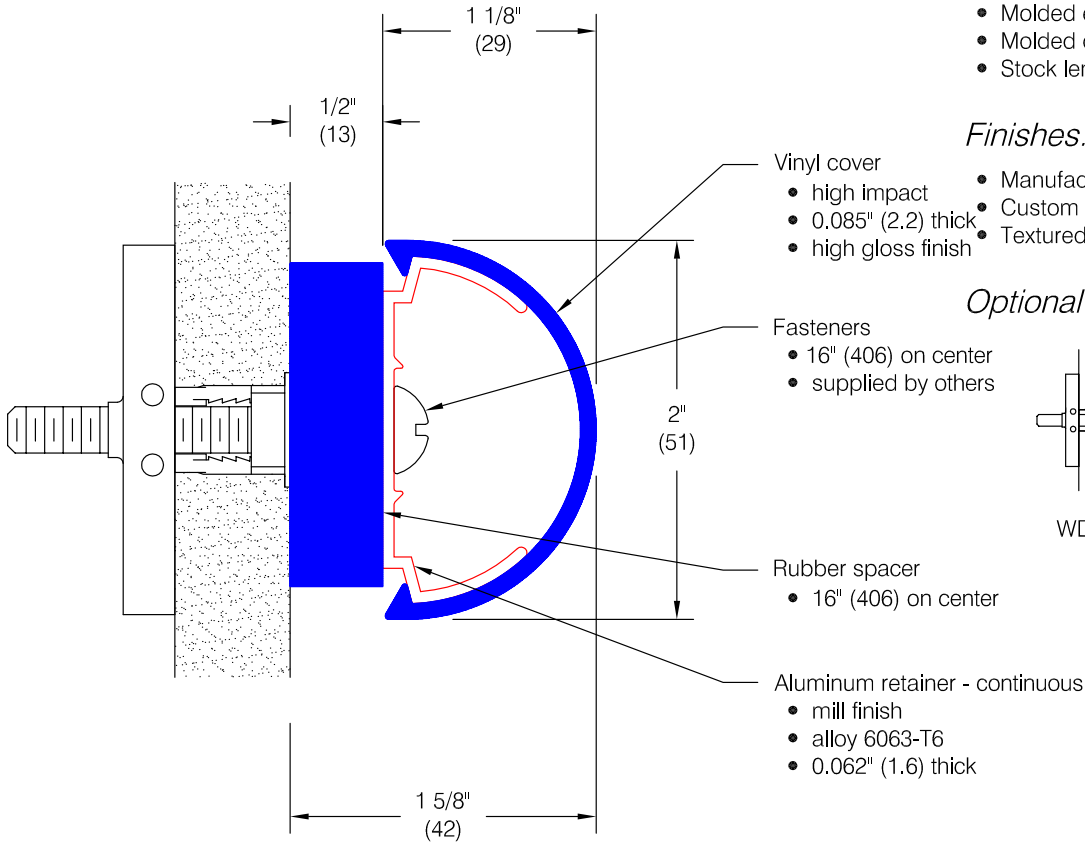
*Finishes:*

- high impact
- 0.085" (2.2) thick
- high gloss finish
- Manufacturer's standard colors
- Custom colors available
- Textured finish (see WD.56.0)

*Optional mounting:*



WD.53.0



*Pawling Corporation reserves the right to discontinue a design or modify an existing design without prior notice*

Customer :	Project :	WD.54.0c
Architect :	Sales Rep :	