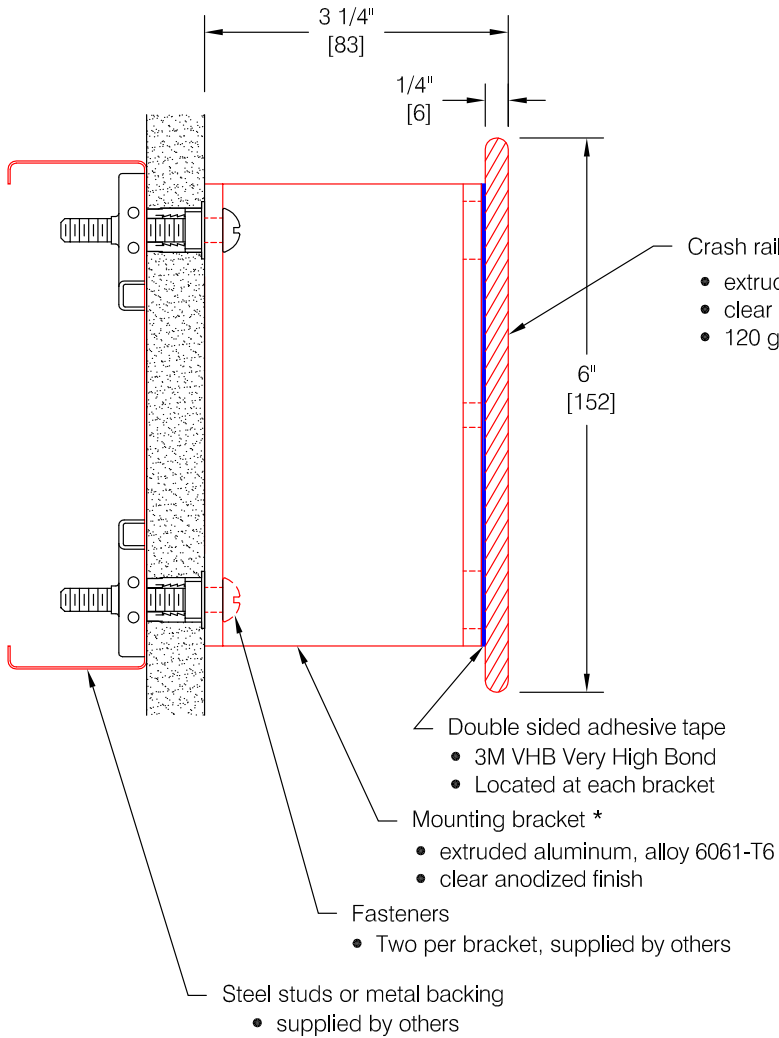


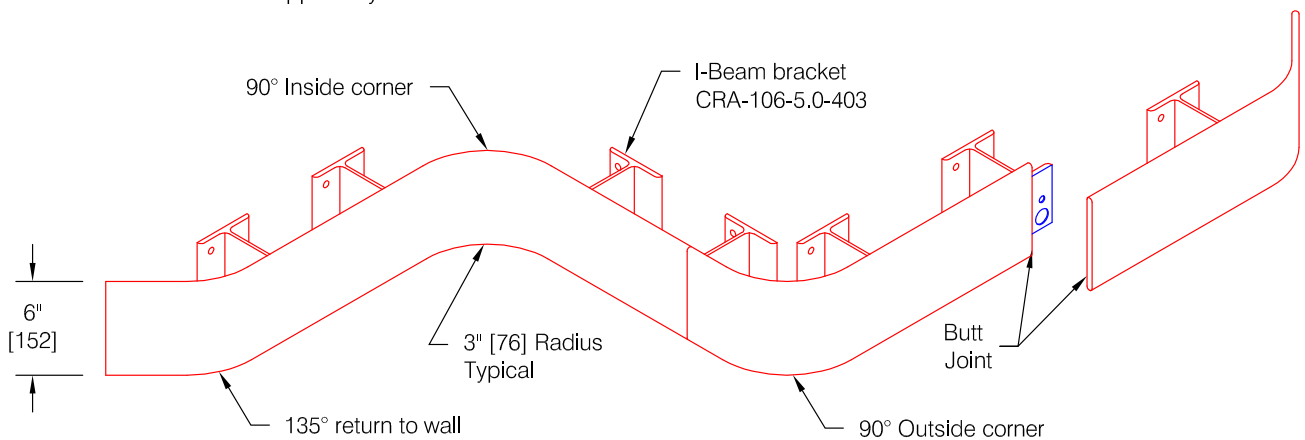
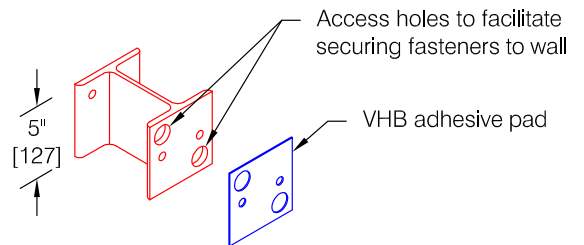
CRA-106-IBHH Steri-Guard[®]

Features:

- Prefabricated to field verified measurements
- Factory formed 3" radius wall returns and corners
- 12'-0" maximum length without butt-joints
- Corners factory formed to accommodate angles other than 90°
- Bracket standoff 3" standard (as shown)
1 1/2" and 2" standoffs are available



* Nominal bracket spacing 32" on center.
 Actual bracket spacing will vary according to jobsite conditions. Maximum spacing not to exceed 48" (1219).



Pawling Corporation reserves the right to discontinue a design or modify an existing design without prior notice

Customer :
 Architect :

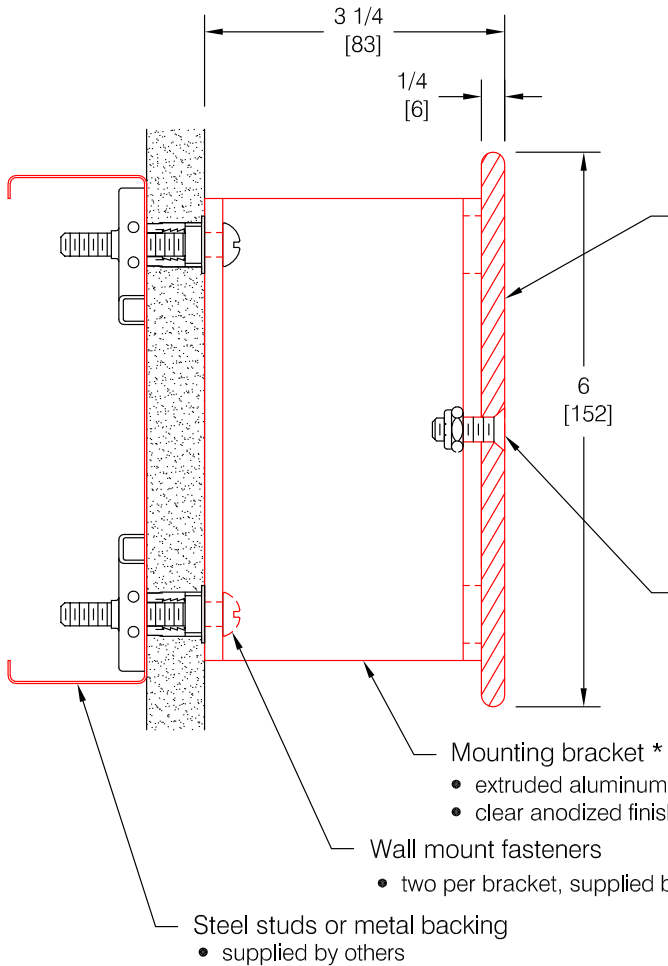
Project :
 Sales Rep :

WD.202.3

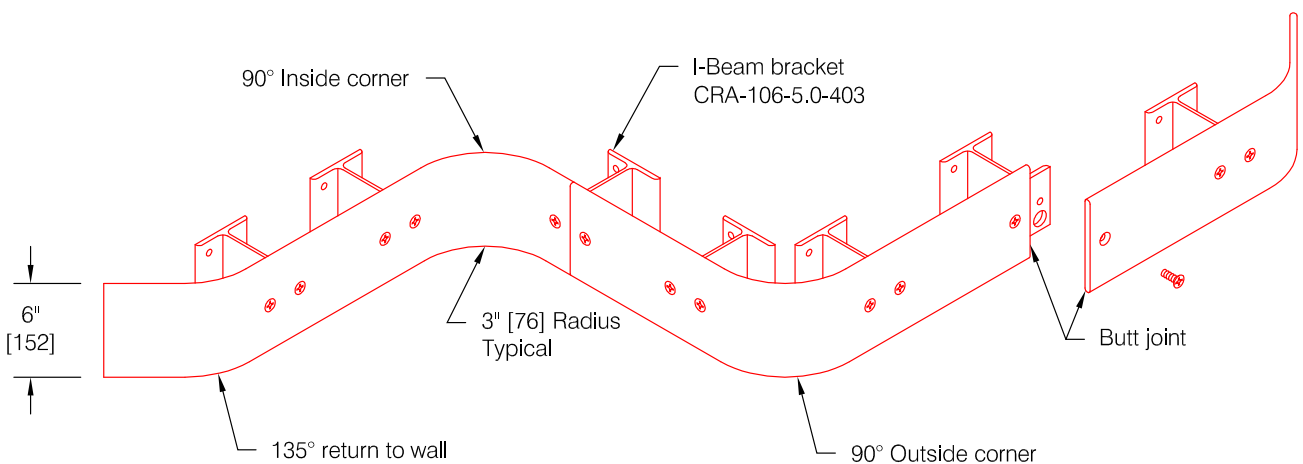
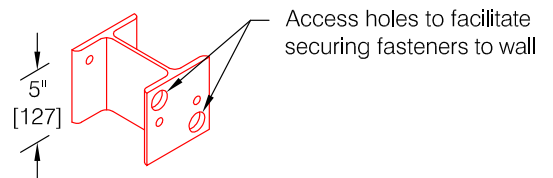
CRA-106-IBSH Steri-Guard[®]

Features:

- Prefabricated to field verified measurements
- Factory formed 3" radius wall returns and corners
- 12'-0" maximum length without butt-joints
- Corners factory formed to accommodate angles other than 90°
- Bracket standoff 3" standard (as shown)
1 1/2" and 2" standoffs are available



* Nominal bracket spacing 32" on center. Actual bracket spacing will vary according to jobsite conditions. Maximum spacing not to exceed 48" (1219).



Pawling Corporation reserves the right to discontinue a design or modify an existing design without prior notice

Customer :

Project :

Architect :

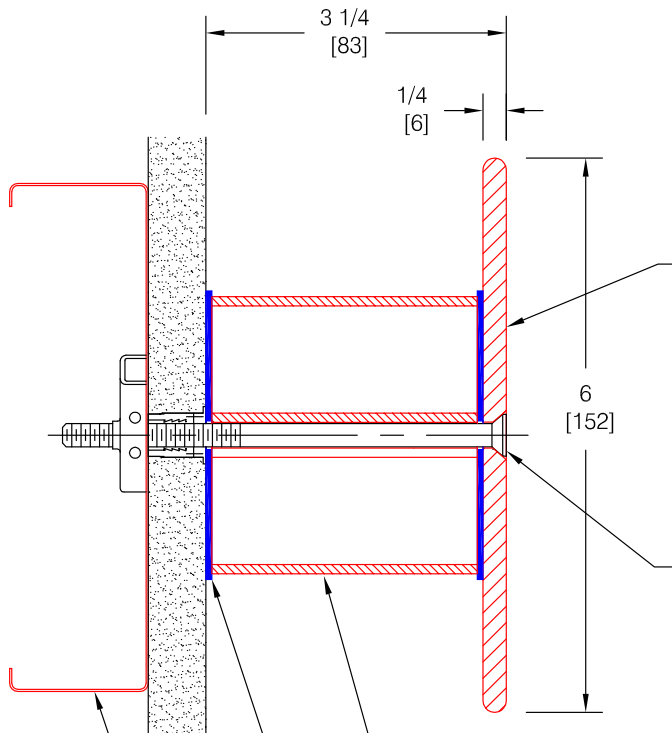
Sales Rep :

WD.202.0a

CRA-106-TBSH Steri-Guard[®]

Features:

- Prefabricated to field verified measurements
- Factory formed 3" radius wall returns and corners
- 12'-0" maximum length without butt-joints
- Corners factory formed to accommodate angles other than 90°
- Bracket standoff 3" standard (as shown) custom standoffs are available



Crash rail

- extruded aluminum, alloy 6061-T6
- clear anodized finish
- 120 grit finish on outward surface
- predrilled and countersunk for bracket hardware

Wall mount fasteners

- machine screw, 1/4-20 x 5", flat head, stainless steel
- supplied by others

Mounting bracket *

- extruded aluminum, alloy 6063-T6
- clear anodized finish

Gasket

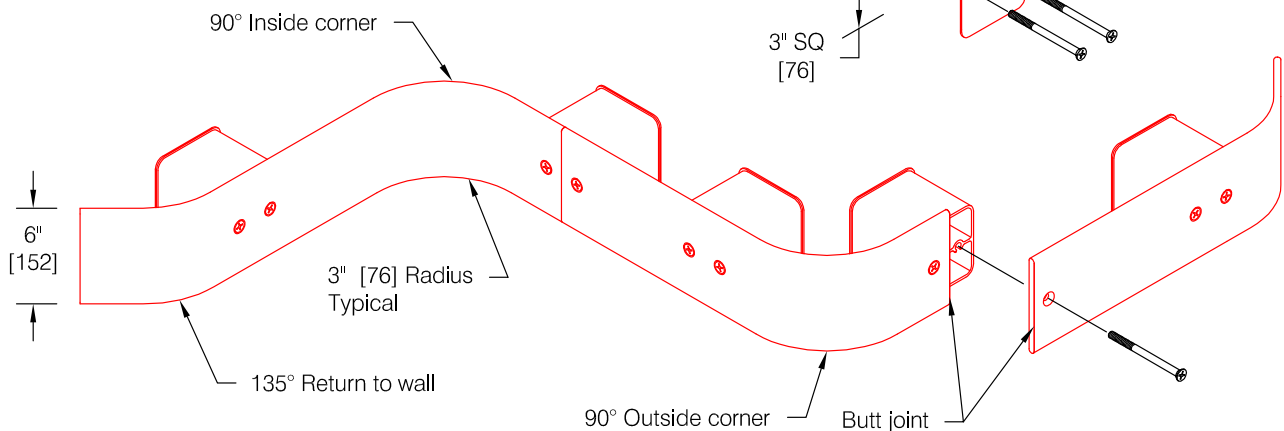
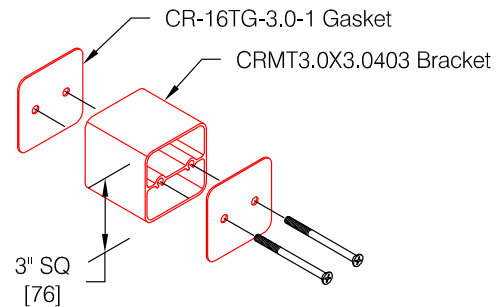
- neoprene rubber
- two per bracket

Steel studs or metal backing

- supplied by others

* Nominal bracket spacing 32" on center.

Actual bracket spacing will vary according to jobsite conditions. Maximum spacing not to exceed 48" (1219).



Pawling Corporation reserves the right to discontinue a design or modify an existing design without prior notice

Customer :

Project :

Architect :

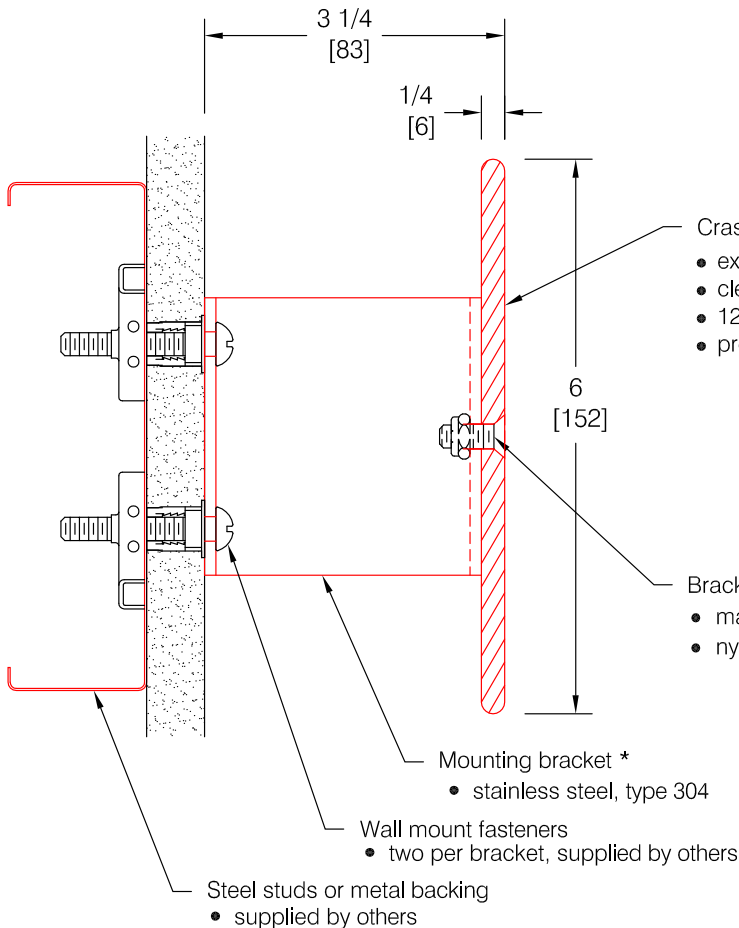
Sales Rep :

WD.202.2a

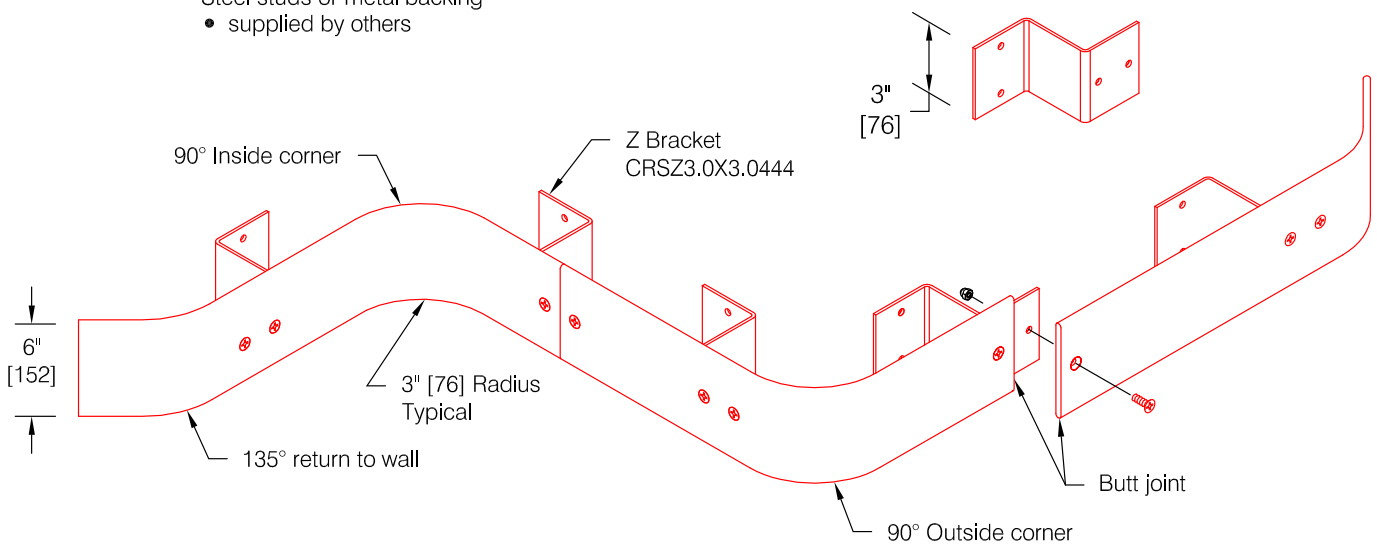
CRA-106-ZBSH Steri-Guard[®]

Features:

- Prefabricated to field verified measurements
- Factory formed 3" radius wall returns and corners
- 12'-0" maximum length without butt-joints
- Corners factory formed to accommodate angles other than 90°
- Bracket standoff 3" standard (as shown) custom standoffs are available



* Nominal bracket spacing 32" on center. Actual bracket spacing will vary according to jobsite conditions. Maximum spacing not to exceed 48" (1219).



Pawling Corporation reserves the right to discontinue a design or modify an existing design without prior notice

Customer :

Project :

Architect :

Sales Rep :

WD.202.1a