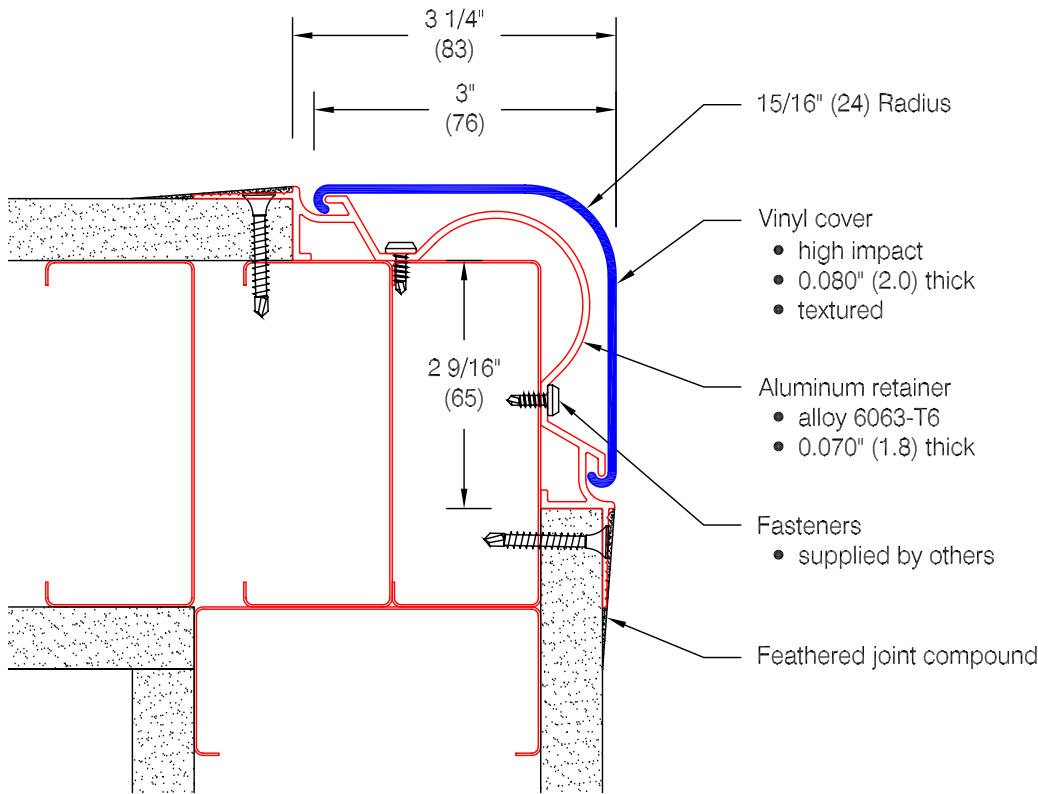


# CGT-32 Corner Guard

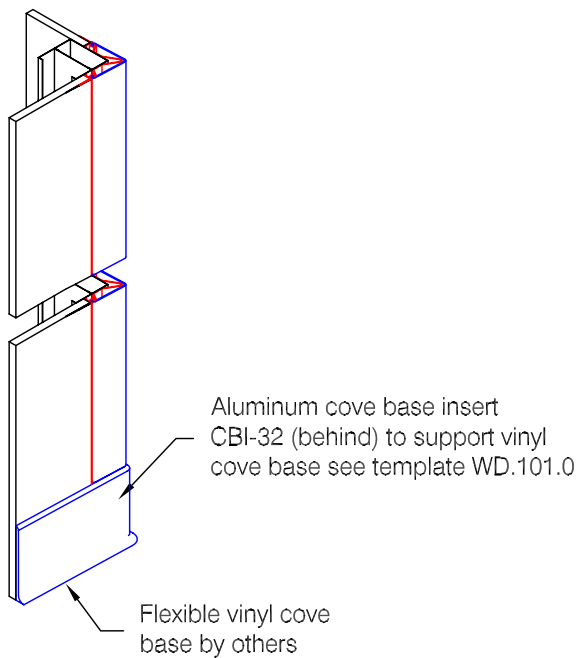
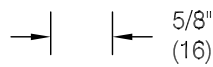


### Features:

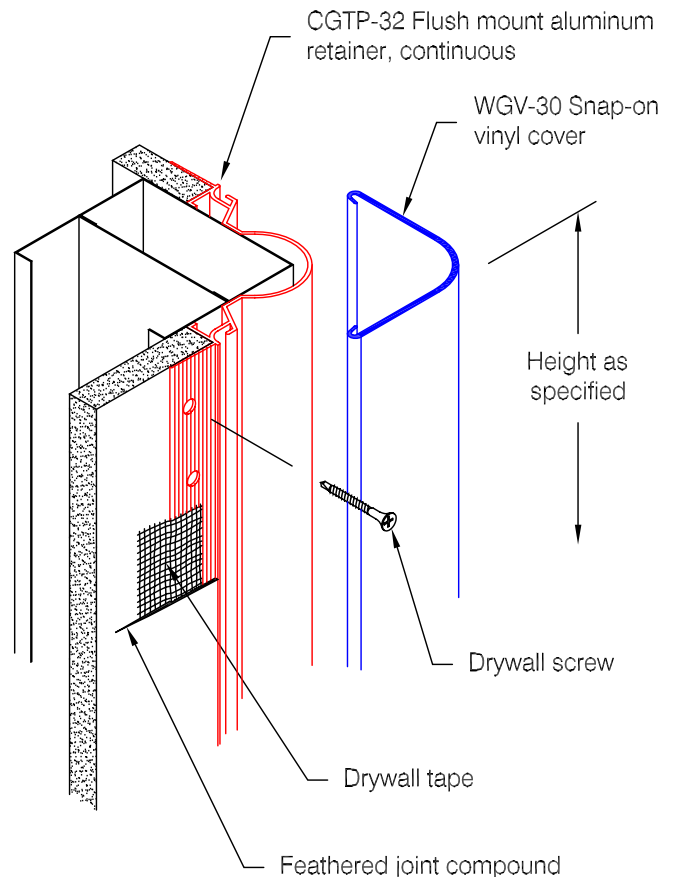
- Class A fire rating
- "Drop-in" installation follows completion of drywall mounting
- Stock lengths: 8'-0" (2438), 9'-0" (2743), 10'-0" (3048), and 12'-0" (3658)
- Custom cut lengths available
- Available with aluminum cove base insert for use with vinyl cove base standard in 4" (102) and 6" (152) heights

### Finishes:

- Vinyl cover (textured)
- Manufacturer's standard colors
  - Custom colors available
- Aluminum retainer
- Mill finish aluminum



*Optional Cove Base Insert*



Pawling Corporation reserves the right to discontinue a design or modify an existing design without prior notice

Customer :	Project :	WD.77.0b
Architect :	Sales Rep :	